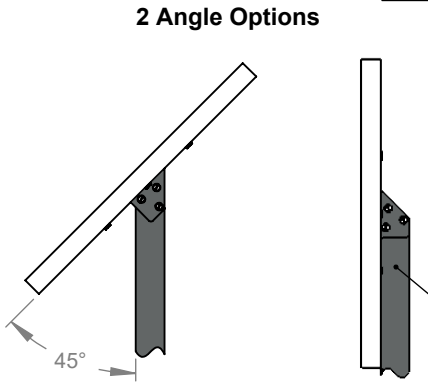
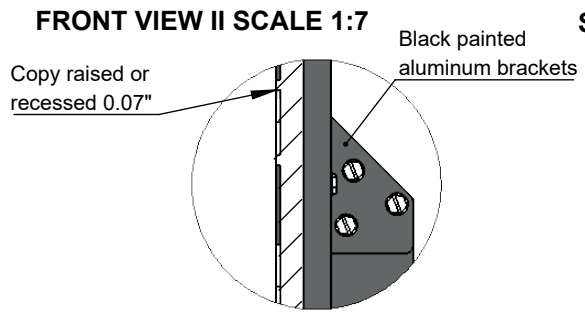
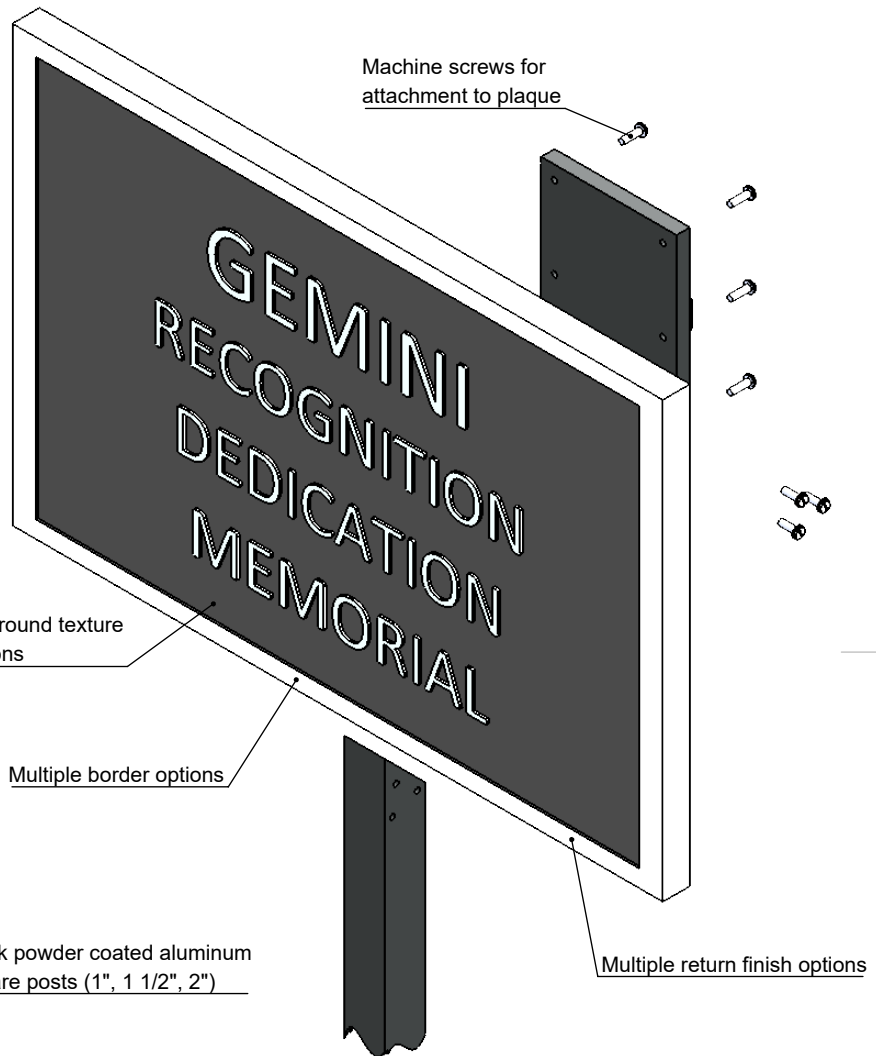
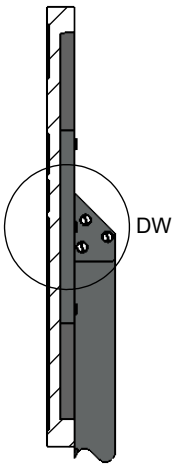


PRODUCT CONSTRUCTION EXAMPLE



STANDARD PRECISION TOOLED PLAQUE DEPTHS		
MATERIAL	SIZE	DEPTH
Bronze	Up to 320 sq in.	1/4"
	Over 320 sq in.	5/16"
Aluminum	All sizes	5/16"
Optional thicker tooled or cast plaques available		
Up to 250 sq in.	6' x 1" post	8' x 1" post
Up to 450 sq in.	6' x 1 1/2" post	8' x 1 1/2" post
Up to 720 sq in.	6' x 2" post	8' x 2" post

- NOTES:
- Plaques over 24" wide require 2 posts
 - Aluminum square post is painted black and bolts into bracket at a 45° or 90° angle
 - Max. 720 sq. inch plaques
 - Posts available 6' or 8' long- designed to be cemented into ground or to a heavy base plate
 - Plaque backs are drilled and tapped to receive machine screws

NOTES: Satin clearcoat standard

TITLE: PRECISION TOOLED PLAQUE - POST MOUNT (TYPE F)	
MATERIAL: METAL	PRODUCT TYPE: METAL PLAQUES