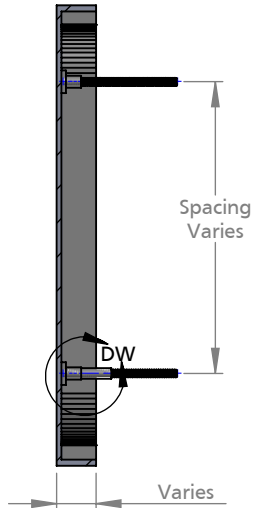
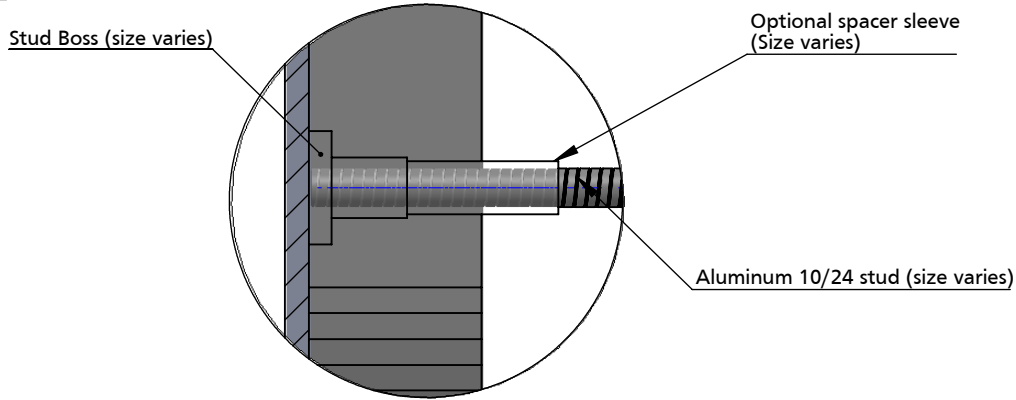


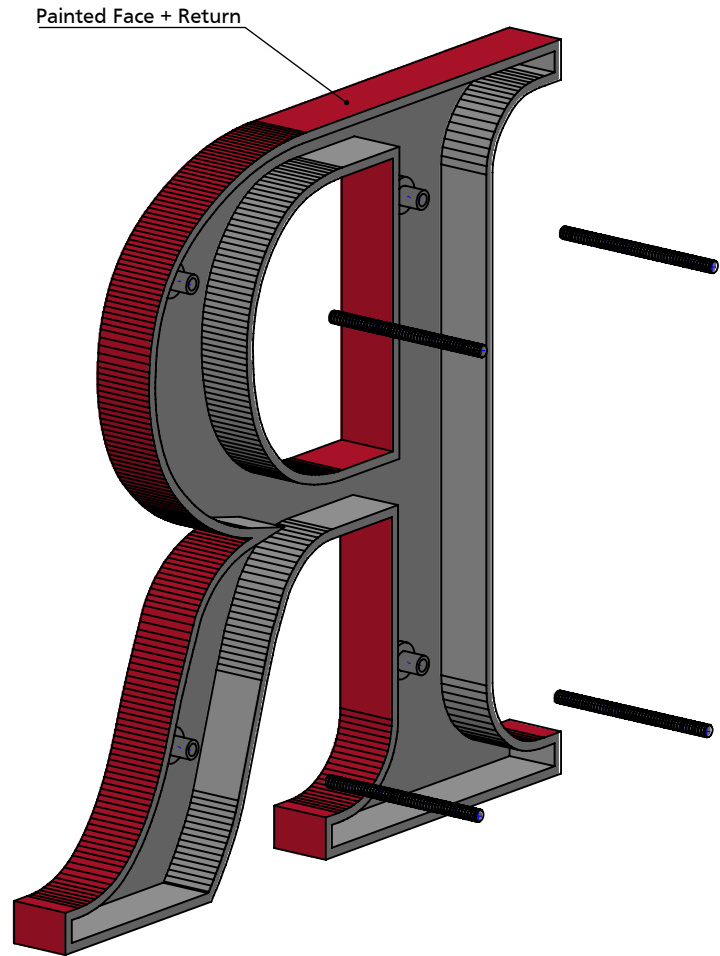
BACK VIEW II SCALE 1:5



SECTION VIEW A-A II SCALE 1:5



DETAIL DW II SCALE 1:1



ISOMETRIC BACK VIEW II SCALE 1:3



NOTES:
 Typical stud length 2" beyond back of letter
 Styles: Architectural, Helvetica, Optima, Roman, Stand Block, Times Bold.

TITLE: MINNESOTA LETTER - STUD MOUNT			
MATERIAL: PLASTIC		PRODUCT TYPE: PLASTIC LETTERS	
DWG NO. MINN10	REV 12/19/14	SCALE: AS INDICATED	SHEET 1 OF 1