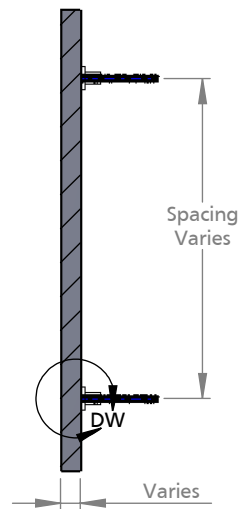
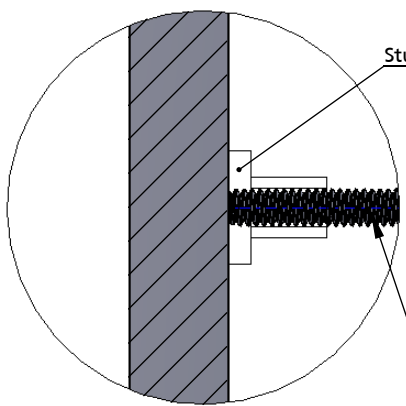


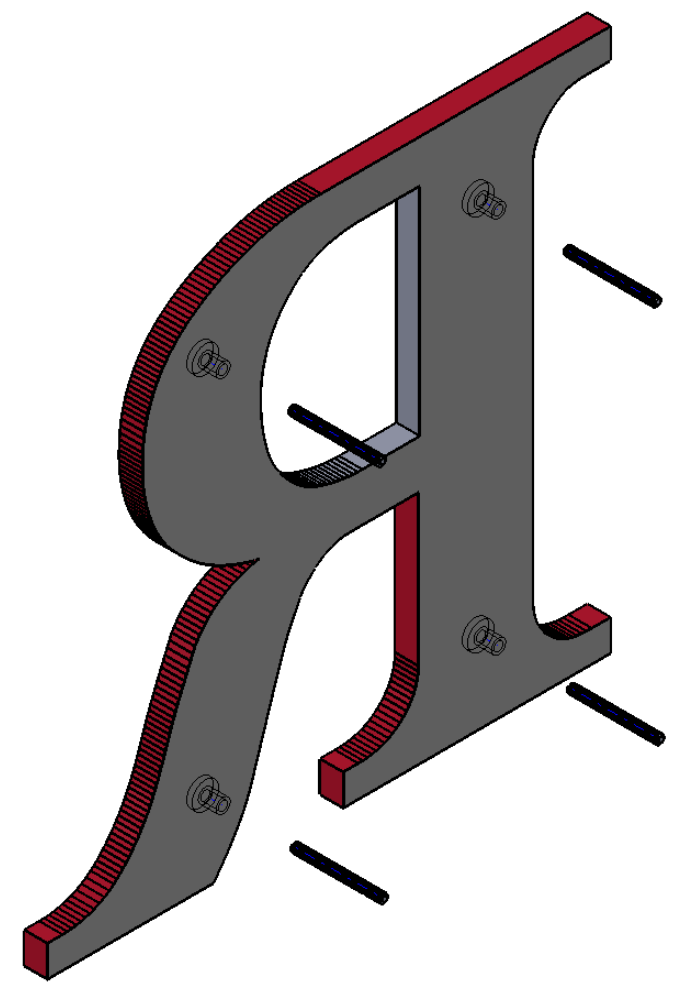
FRONT VIEW II SCALE 1:5



SECTION VIEW A-A II SCALE 1:5



DETAIL DW II SCALE 1:1



ISOMETRIC BACK VIEW II SCALE 1:3



| | | | |
|---|--------------|---|--------------|
| TITLE: LASER CUT ACRYLIC - STUD MOUNT | | | |
| MATERIAL: PLASTIC | | PRODUCT TYPE: PLASTIC LETTERS | |
| DWG NO. LASR10 | REV 27/01/15 | SCALE: AS INDICATED | SHEET 1 OF 1 |