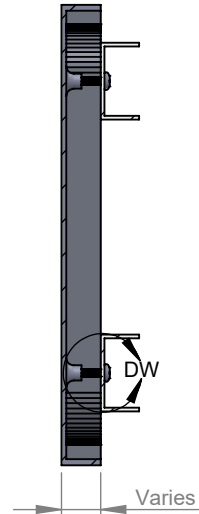


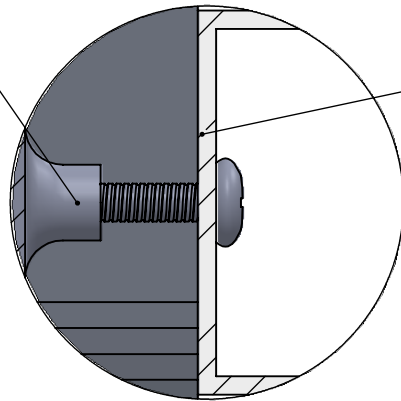
**FRONT VIEW II SCALE 1:5**

Stud Boss (size varies)



**SECTION VIEW A-A II SCALE 1:5**

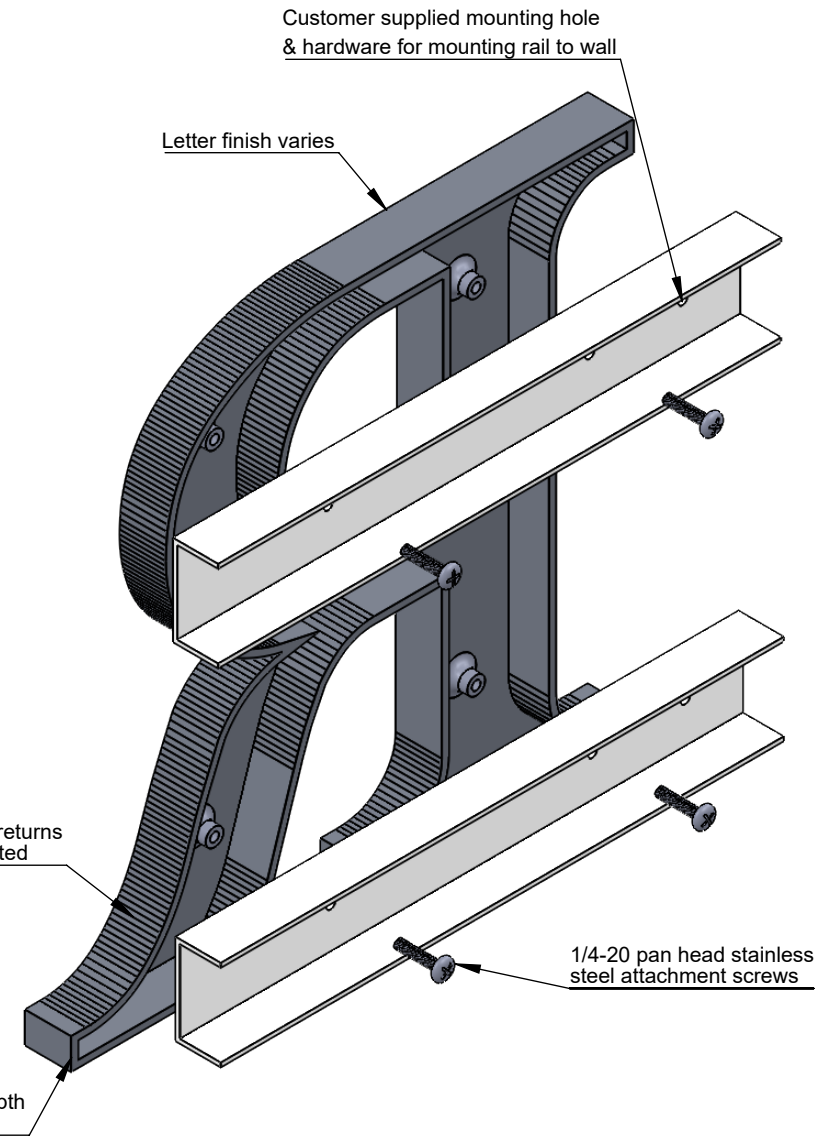
C-shape rail (size varies)  
Painted or anodized  
6063-T2 extruded-aluminum - 1/8" wall



**DETAIL DW II SCALE 1:1**

**NOTES:**

- Letters 4"-24" mounted by word, max. 96" rails
- Standard catalog styles or customer per vector art. Flat faced/round/prismatic profile options. Typical 3/16" - 1/4" wall thickness on hollow back letters/logos.
- Letters or logos, standard or custom
- C-Channel (rail)
- 1/2" deep x 1" or 1 1/2" wide x 96" long, painted or anodized
- 1" deep x 2" or 3" wide x 96" long, painted or anodized
- Rails pre-assembled for fit, larger letters may ship loose
- Rail Mounting
- C-channel rails are designed to be mounted to load bearing structures, holes and location to be determined by installer (rail mounting hardware not included)



**ISOMETRIC BACK VIEW II SCALE 1:3**

TITLE:

**CAST METAL DOUBLE RAIL MOUNT**

MATERIAL:

**ALUMINUM OR  
BRONZE**

PRODUCT TYPE:

**CAST METAL**